

NOTE:

1. ALL MATERIAL TO BE CAST IRON SOIL PIPE EXCEPT WHERE OTHERWISE NOTED.

CITY OF ANNAPOLIS, MARYLAND  
DEPARTMENT OF PUBLIC WORKS

APPROVED

DIRECTOR OF PUBLIC WORKS DATE

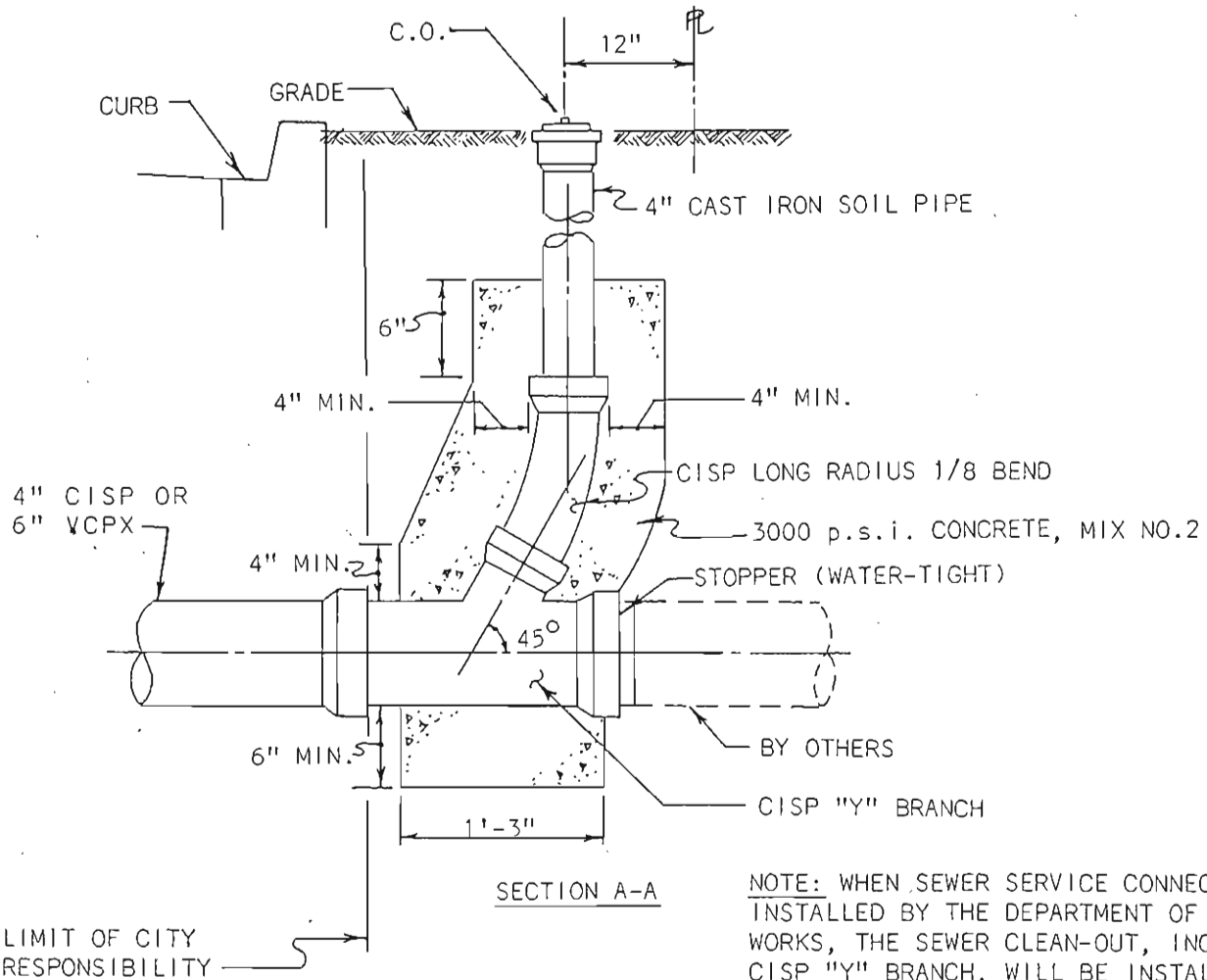
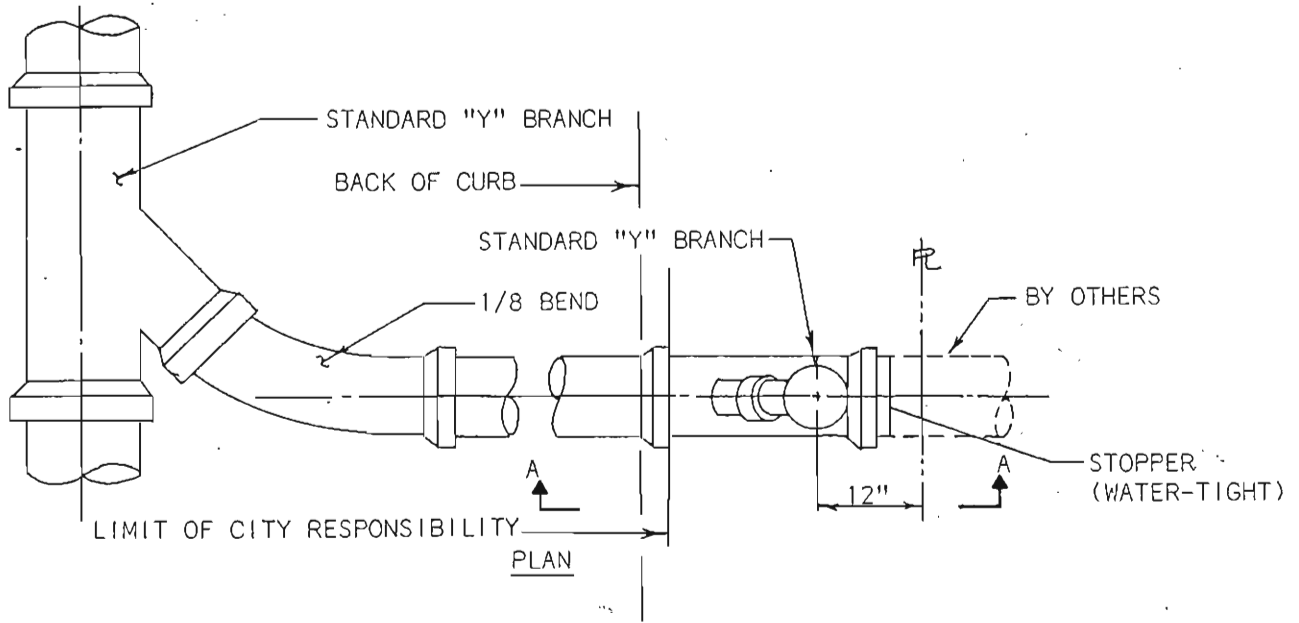
STANDARD SANITARY DETAILS

MAIN LINE CLEANOUT

JUL 21 1988

REVISIONS

S 4.0



NOTE: WHEN SEWER SERVICE CONNECTION IS INSTALLED BY THE DEPARTMENT OF PUBLIC WORKS, THE SEWER CLEAN-OUT, INCLUDING CISP "Y" BRANCH, WILL BE INSTALLED BY OTHERS.

CITY OF ANNAPOLIS, MARYLAND  
 DEPARTMENT OF PUBLIC WORKS

APPROVED: *[Signature]*  
 DIRECTOR OF PUBLIC WORKS DATE: \_\_\_\_\_

STANDARD SANITARY DETAILS

SINGLE HOUSE CONNECTION  
 AND CLEANOUT

JUL 21 1988

REVISIONS

S 5.0